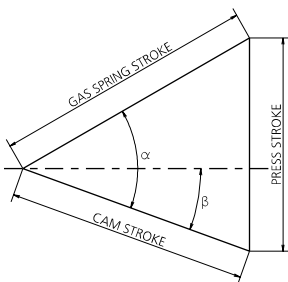
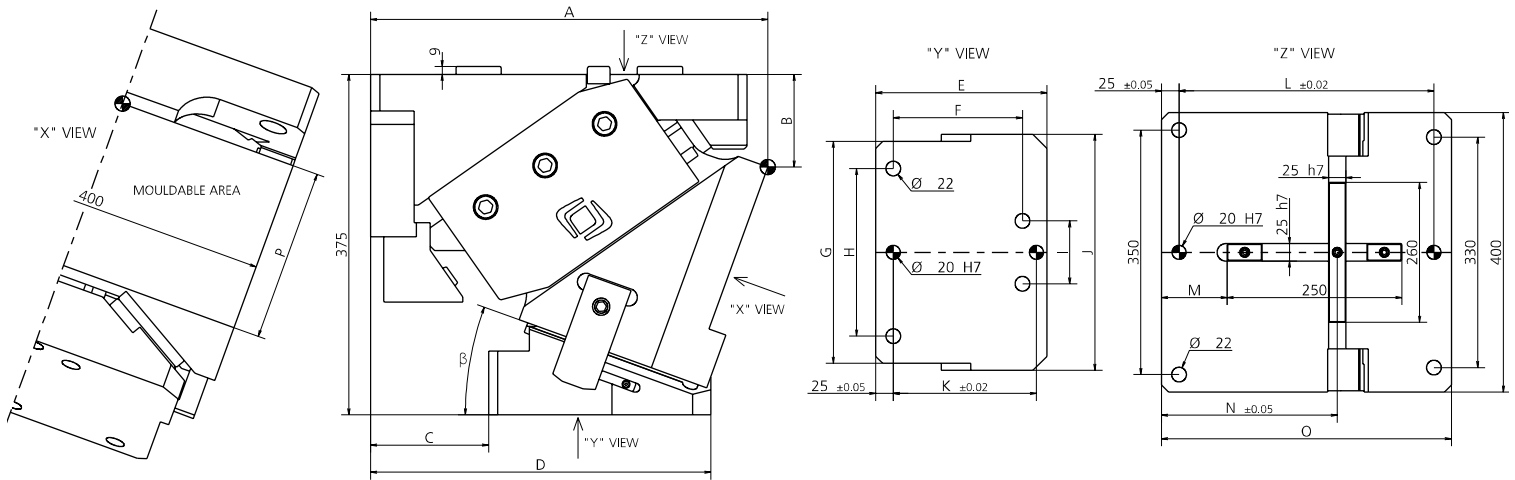


POS.	DESCRIPTION	Q.TY
001	CUNEO / WEDGE / DRUCKKEIL	1
002	SLITTA / SLIDER / LAGERKEIL	1
003	CORPO CAMMA / CAM BODY / GRUNDGEHÄUSE	1
004	STAFFA DI AGGANCIO / BRACKET ATTACHMENTS / BRACKETBEFESTIGUNG	2
005	PIASTRINA / PLATE / PLATTE	1
006	DISTANZIALE / SPACER / ABSTANDSHALTER	1
007	STAFFA / BRACKET / BRACKET	1
008	STAFFA / BRACKET / BRACKET	1
009	FINECORSA / LIMIT SWITCHES / ENDSCHALTER	2
010	PIASTRA DI SCORRIMENTO / WEAR PLATE / DRUCKPLATTE	2

POS.	DESCRIPTION	Q.TY
011	CILINDRO AD AZOTO / NITROGEN CYLINDER / STICKSTOFFZYLINDER	1
012	PUNTALINO / BUMP STOP / STOSSDÄMPFERSPITZE	2
013	SENSORE DI SICUREZZA / SECURITY SENSOR / SENSOR FÜR SICHERHEIT	1*OPTION
014	PIASTRA DI SCORRIMENTO / WEAR PLATE / DRUCKPLATTE	2
015	CHIAVETTA / KEY / SCHLÜSSEL	2
016	CHIAVETTA / KEY / SCHLÜSSEL	2
017	PIASTRA DI SCORRIMENTO / WEAR PLATE / DRUCKPLATTE	4
018	FINECORSA / LIMIT SWITCHES / ENDSCHALTER	1
019	PIASTRA DI SCORRIMENTO / WEAR PLATE / DRUCKPLATTE	2
020	CHIAVETTA / KEY / SCHLÜSSEL	1



β	α	PRESS STROKE	GAS SPRING STROKE	CAM STROKE	EXTRACTION FORCE (DAN)	CUTTING FORCE (DAN)
0°	50°	44.43	58	37.28	6390	105500
5°	50°	44.6	58	41.17	6460	105500
10°	55°	48.24	58	41.64	6660	105400
15°	55°	49.19	58	46	6780	105400
20°	55°	50.56	58	50.56	6950	105400
25°	60°	55.42	58	52.42	7120	105400
30°	60°	58	58	58	7370	105400
35°	65°	64.17	58	61.32	7510	105400
40°	65°	68.62	58	68.62	7850	105400
45°	70°	77.08	58	74.34	7960	105400
50°	70°	84.79	58	84.79	8440	105300
55°	75°	97.67	58	95.02	8510	105300
60°	75°	112.05	58	112.05	9180	105300
65°	80°	104.86	45	102.85	9480	105300
70°	85°	131.07	45	127.09	9490	105300
75°	85°	115.47	30	114.15	9590	105200



CODE	β	A	B	C	D	E	F	G	H	I	J	K	L	M	N	O	P
0150.0400-00	0°	403	75	130	410	280	185	318	240	90	338	205	365	72	209.5	415	180
0150.0400-05	5°	410.89	94.3	130	410	280	185	318	240	90	338	205	365	82.5	220	415	180
0150.0400-10	10°	420.55	89.43	130	385	255	185	318	240	90	338	205	365	93	230.5	415	190
0150.0400-15	15°	429.29	95.3	130	385	255	185	318	240	90	338	205	365	103.5	241	415	190
0150.0400-20	20°	437.93	101.92	130	375	245	185	318	240	90	338	205	365	94	251.5	415	190
0150.0400-25	25°	425.61	100.23	80	340	260	145	318	240	90	338	175	365	104.5	237	415	200
0150.0400-30	30°	434.61	113.74	80	330	250	145	318	240	90	338	175	365	95	247.5	415	200
0150.0400-35	35°	444.99	125.55	80	317	237	145	318	240	90	338	175	365	104	256.5	415	210
0150.0400-40	40°	457.94	135.36	80	310	230	145	318	240	90	338	175	365	98	265.5	415	210
0150.0400-45	45°	430.5	137.52	30	255	225	145	318	240	90	338	175	401	62	224.5	450	230
0150.0400-50	50°	451.02	156.17	30	245	215	145	318	240	90	338	175	401	56	233.5	450	230
0150.0400-55	55°	464.18	183.4	30	256	226	145	318	240	90	338	175	401	63.4	240.9	450	230
0150.0400-60	60°	476.89	207.11	30	260	230	145	318	240	90	338	175	401	71	248.5	450	230
0150.0400-65	65°	479.93	221.51	0	242	242	140	400	363	363	400	175	401	71	248.5	450	230
0150.0400-70	70°	476.85	237.42	0	226	226	125	400	363	363	400	175	401	71	248.5	450	230
0150.0400-75	75°	466.79	249.59	0	214	214	105	400	363	363	400	160	401	56	233.5	450	230

13 PATENT PENDING

13 (9003) SENSORE / SENSOR / SENSOR



MODELLO D'ORDINE / ORDER EXAMPLE / BESTELLBEISPIEL / MODÈLE DE COMMANDE

MODEL **0150.0400** INCLINAZIONE **-10°** OPTION CODE **9003.0002**